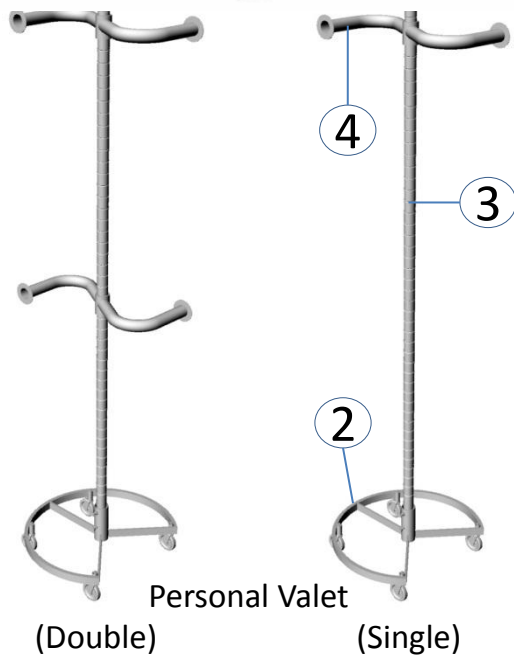


Assembly Instructions

Tools Required: Adjustable wrench (or 1/2, 11/16, box wrench), hammer.



Personal Valet
(Double)

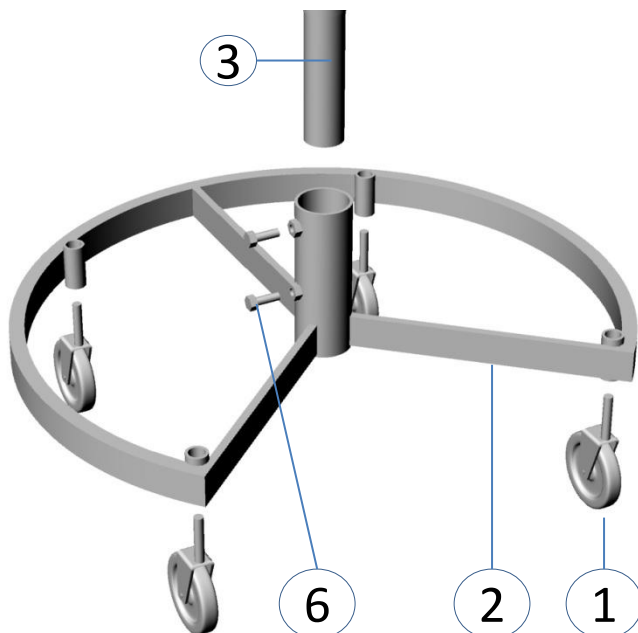
(Single)

PARTS LIST

1. Stem Swivel Caster (x4)
2. Garment Rack Frame (x1)
3. Upright Bar (x2)
4. Top Rail S-Bar (x1) or (x2 for double)
5. S-Rail Brace (x1) 2 pcs. or (x2 for double) 4 pcs.
6. Set Screw (x2) – Allen wrench included
7. Round End Cap (x1) – insert into (5).

Assembly Instructions – Bottom

1. Insert Casters (1) into frame (2)
2. Bang base with all four casters (1) on ground to evenly secure into frame (2).
3. Slide Upright Bar (5) into frame (2) and tighten Set Screws (8).



Assembly Instructions – Rails

1. Preposition desired S-Rail Brace height (7), then snap S-Rail Brace together into one piece around the Upright Bar (5).
2. Slide S-Rail (6) down over S-Rail Brace (7) brace firmly. Repeat for double S-Rail configuration.
3. Insert round end cap (9) into upright bar (5).

